



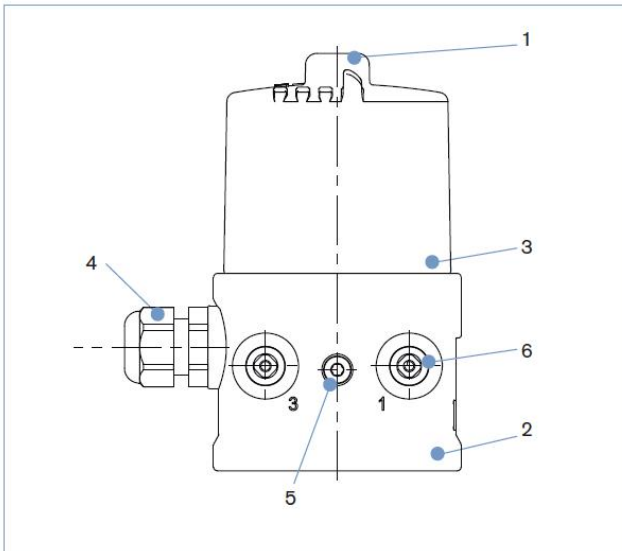
Pneumatic Control/Feedback

- Compact design
- Integrated pilot valve with manual override
- Internal control air routing
- Bright LED position indicator
- Automatic end position adjustment

Technical Data	
Material - Body	PPS
Cover	PC
Sealing	EPDM
Operating voltage	
Pilot valve	24 V DC $\pm 10\%$ - residual ripple 10%, consumption 1 W
Micro switch	24V Version: 0 – 48 V AC/DC, max. 2A 230V Version: 50 – 250 V AC/DC, max. 2 A
Initiator	10 to 30 V DC - max.100 mA per initiator
Control medium	neutral gases, air quality class DIN ISO 8573-1
Dust concentration	Class 5: max. particle size 40 μm
Particle density	Class 5: max. particle density 10 mg/m ³
Pressure condensation point	Class 3: max. -20 °C or min. 10 °C below the lowest operating temperature
Oil concentration	Class 5: max. 25 mg/m ³
Supply pressure	3 to 7 bar ¹⁾
Pilot air ports	Threaded ports G 1/8 or push-in connector (tube \varnothing 6 mm / 1/4")
Position feedback	2x micro switch (0 – 48 V AC/DC, max. 2A) 2x micro switch (50 – 250 V AC/DC, max. 2 A) 2x initiator (24 V DC), PNP shutter 3-wire 2x initiator NAMUR (8,2 V DC) (2-wire) 2x initiator (24 V DC), SchlieBer (2-wire)
Stroke range valve spindle	2 to 36 mm
Ambient temperature	
with/without pilot valve	0 to +55°C (II 3D Ex tc IIIC T135°C Dc, II 3G Ex nA IIC T4 Gc)
with/without pilot valve	0 to +55°C (II 2D Ex ia IIIC T135°C Db IP64, II 2G Ex ia IIC T4 Gb)
with pilot valve	-10 to +55°C (II 2G Ex ia IIC T4 Gb)
without pilot valve	-20 to +60°C (II 2G Ex ia IIC T4 Gb)
Installation	as required, preferably with actuator in upright position
Protection category	IP65 and IP67 according to EN 60529
Protection class	3 according to VDE 0580
Conformity	according to CE in compliance with EMV 2004/108/EG
Ignition protection	II 3D Ex tc IIIC T135°C Dc II 3G Ex nA IIC T4 Gc II 2D Ex ia IIIC T135°C Db IP64 II 2G Ex ia IIC T4 Gb
Electrical connection	
Multipole	M12, 8-pole
Cable gland	M16x1.5 SW22 (cable diameter 5 -10 mm), terminal screws 0.14 bis 1.5 mm ²

¹⁾ The supply pressure has to be 0.5 - 1 bar above the minimum required pilot pressure for the valve actuator.

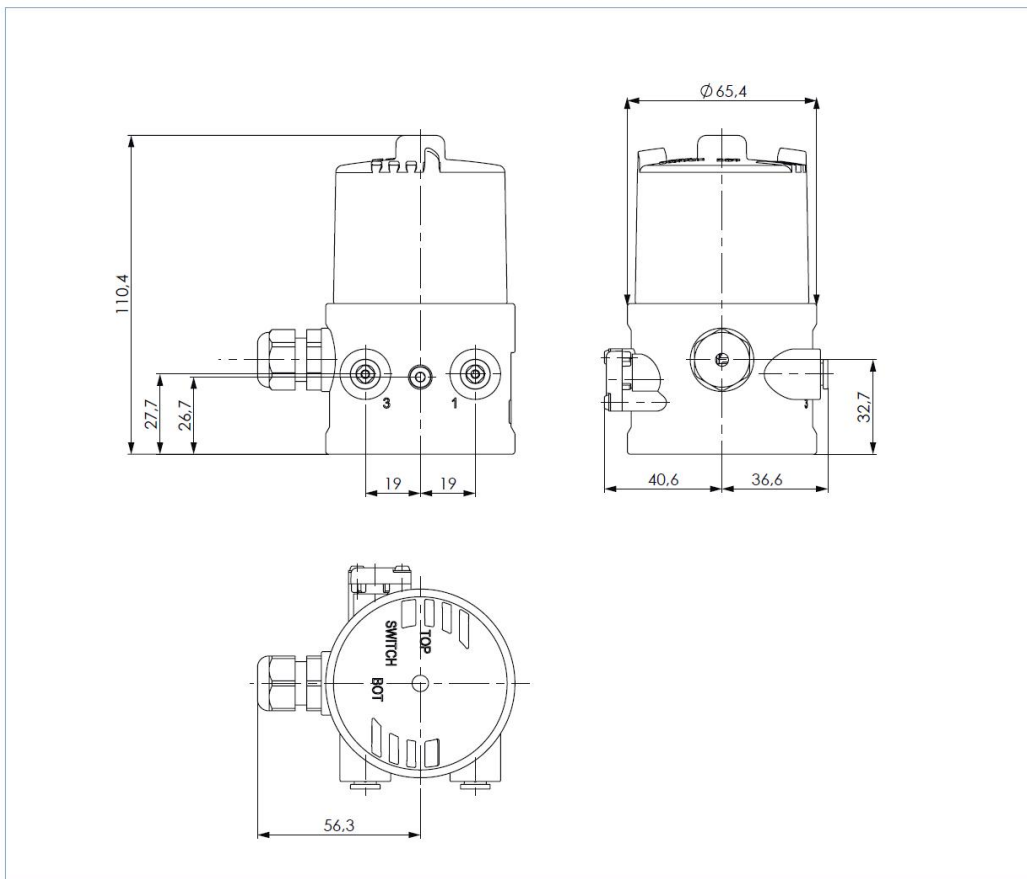
Materials



1	Transparent cap	PC
2	Basic body	PPS
3	Sealing	EPDM
4	Cable gland Plug M12	PA Brass nickel plated
5	Screws	Stainless steel
6	Push-in connector Threaded ports G1/8	POM / stainless steel stainless steel

Dimensions [mm]

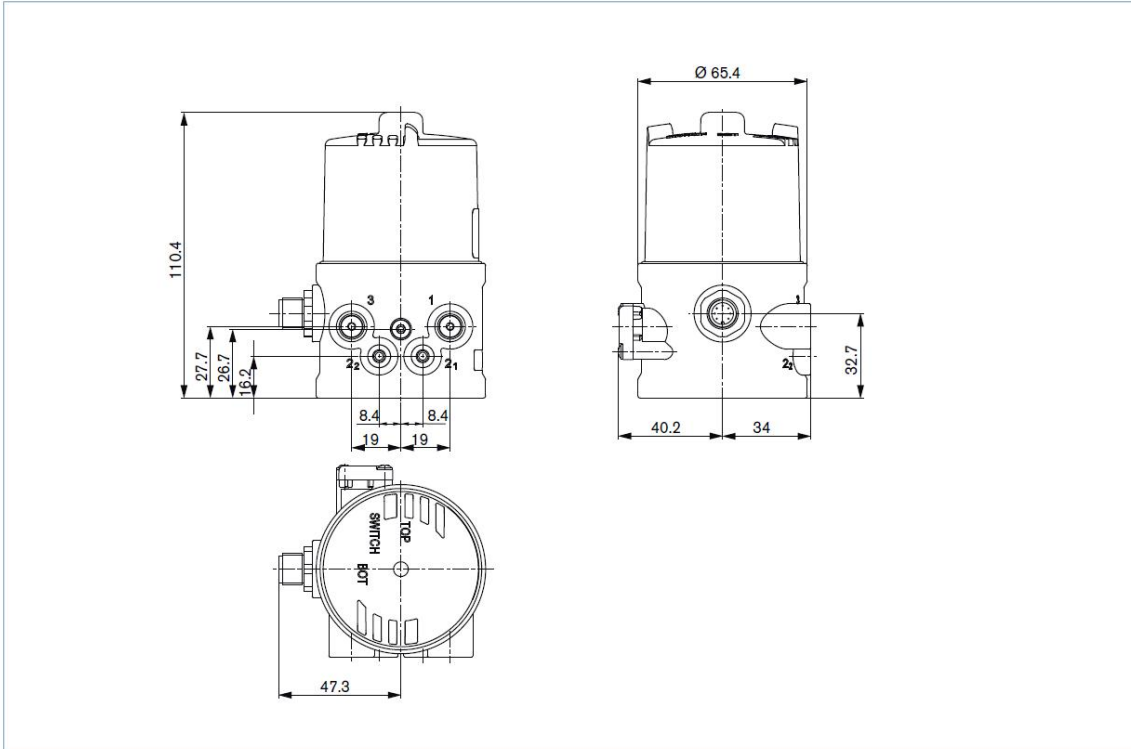
Pneumatic Control Unit/Feedback for mounting on process valve ELEMENT Types 21xx



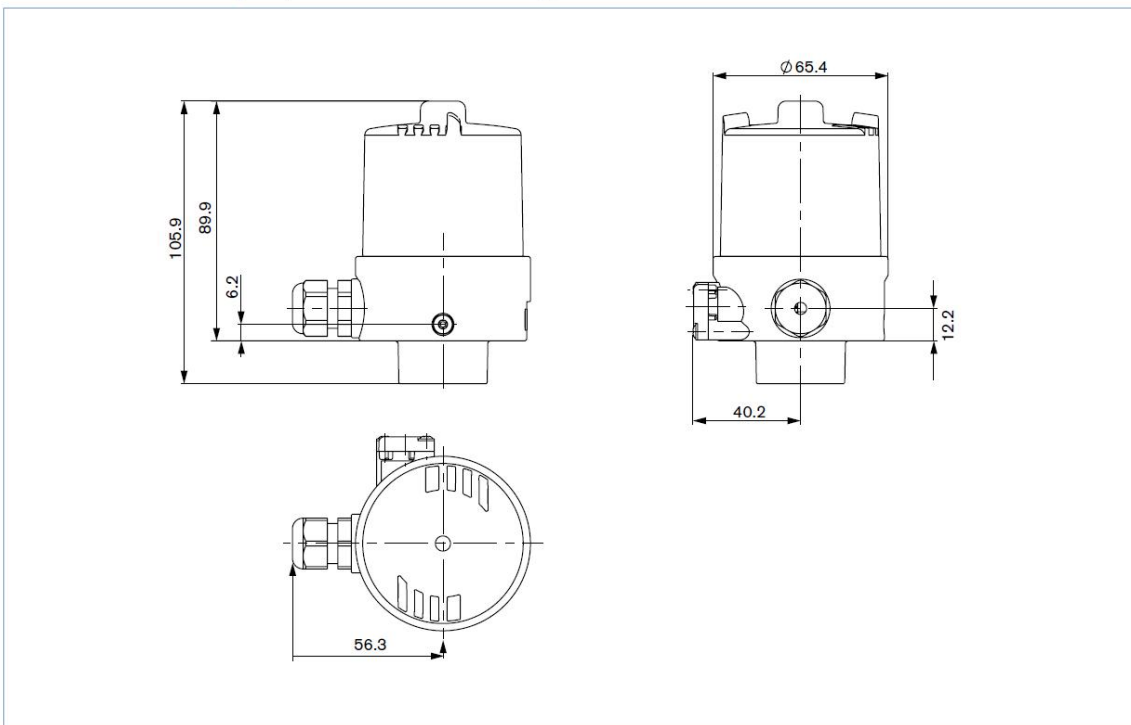


Dimensions [mm]

Control Unit for mounting on process valve CLASSIC Types 20xx



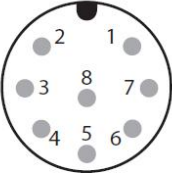
Feedback for mounting on process valve CLASSIC Types 20xx



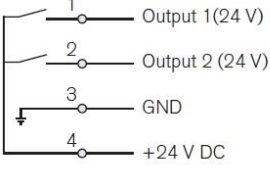




Connection options

Multipole, plug M12 8-pins




Plug configuration with 3-wire inductive switch, 24 V DC

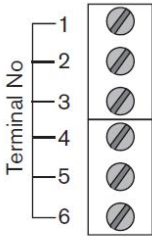
Pin no.	Wire colour ⁶⁾	Configuration	External circuit
1	white	INI Bottom Output 1	
2	brown	INI Top Output 2	
3	green	INI - (GND) Supply	
4	yellow	INI + (24 V DC) Supply	
5	grey	Valve control 0/24 V	
6	pink	Valve control GND	

⁶⁾ The indicated colours refer to the connecting cable available as an accessory (919 061)

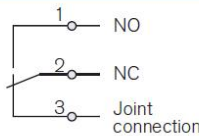
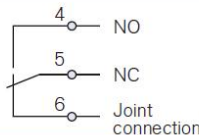
Cable gland , M16 x 1.5 (cable-ø 10 mm), terminal screws (1.5 mm²)



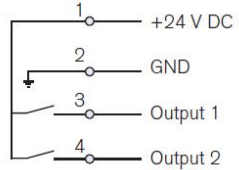


Terminal No




Port configuration with micro switch, 24 V DC / 250 V AC/DC

Terminal	Configuration	External circuit
1	Micro switch top	
2		
3		
4	Micro switch bottom	
5		
6		

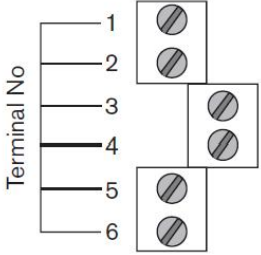
Port configuration with 3-wire inductive switch, 24 V DC

Terminal	Configuration	External circuit
1	INI + (24 V DC) Supply	
2	INI GND Supply	
3	INI Top Output 1	
4	INI Bottom Output 2	
5	Valve control 0/24 V DC	
6	Valve control GND	

Port configuration with 2-wire inductive proximity switches

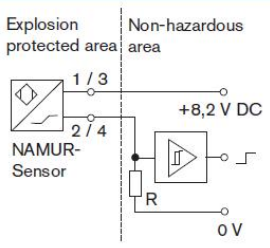
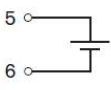


Screw terminals



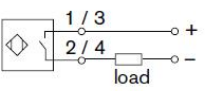
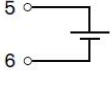
Terminal No

2-wire inductive proximity switches (NAMUR)

Terminal	Configuration	External circuit
1	INI Top +	
2	INI Top -	
3	INI Bottom +	
4	INI Bottom -	
5	Valve control +	
6	Valve control GND	

7)

2-wire inductive proximity switches, 24 V

Terminal	Configuration	External circuit
1	INI Top +	
2	INI Top -	
3	INI Bottom +	
4	INI Bottom -	
5	Valve control +	
6	Valve control GND	

⁷⁾ (Acc. to NAMUR recommendation). Please note the prototype test certificate from Turck KEMA 02 ATEX 1090X

⁸⁾ Barrier signal, see PTB 07 ATEX 2048